

9663/9664/9665 SERIES

FPC/FFC I-Lock Type Connectors



- 1.0mm pitch SMT
- I-Lock connector

The 9663/9664/9665 series is a 1.0mm-pitch SMT FPC/FFC connector. Iriso original "I-Lock" design prevents FPC/FFC card dropout and makes good tactile while insertion to improve operation efficiency.

Also it has temporary FPC card holding mechanism to prevent mis-insertion of FPC. It has variety of Connection Type and Contact Structure to choose from.

Features

- ZIF (I-Lock) type can prevent half-insertion and incomplete insertion
- ZIF (I-Lock) type makes good clicking feeling so that operators know that the card is completely inserted.
- Line up 4 – 30 / 40 contacts.
- Compliant with RoHS

Specifications

1	Series No.	IMSA-9663S-**Y□□□	IMSA-9664S-**Y□□□	IMSA-9665S-**Y□□□
2	Connection type	Right Angle(RA)	Right Angle(RA)	Straight (ST)
3	Contact structure	Top	Bottom	Single
4	No. of contacts	4~30P / 40P	4~30P / 40P	4~30P / 40P
5	Feature	Slider lock Type	Slider lock Type	Slider lock Type
6	Pitch	1.0mm	1.0mm	1.0mm
7	Height	2.55mm	2.5mm	7.3mm
8	Voltage rating	125V(AC,DC)	125V(AC,DC)	125V(AC,DC)
9	Current rating	1A	1A	1A
10	D.W voltage	AC 250V (1min)	AC 250V (1min)	AC 250V (1min)
11	Insulation Resistance	100mΩ or more	100mΩ or more	100mΩ or more
12	Contact Resistance	30mΩ or below	30mΩ or below	30mΩ or below
13	Operating Temperature	-40~+105°C	-40~+105°C	-40~+105°C
14	Plating	Over NI Plate. Au Plate	Over NI Plate. Au Plate	Over NI Plate. Au Plate
15	FFC Thickness (mm)	0.3mm (GND:0.5)	0.3mm (GND:0.5)	0.3mm (GND:0.5)

Website

http://www.iriso.co.jp/en/product_series/9663/

http://www.iriso.co.jp/en/product_series/9664/

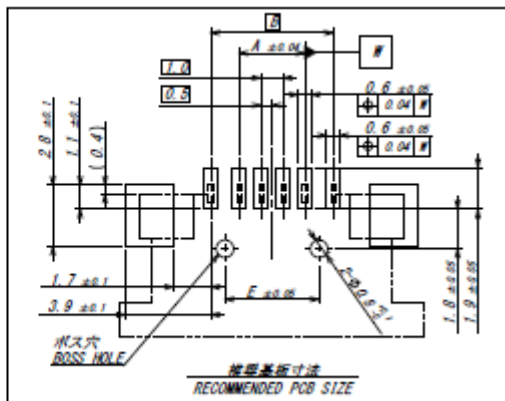
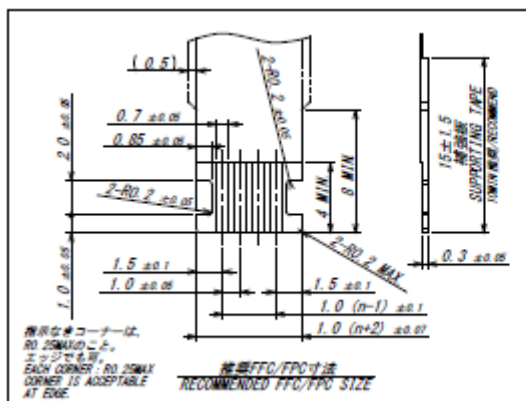
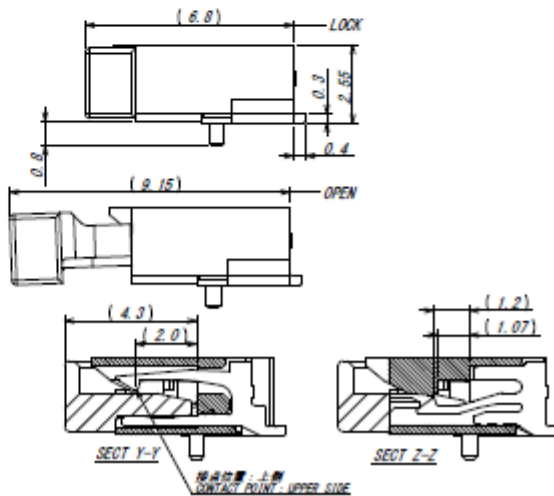
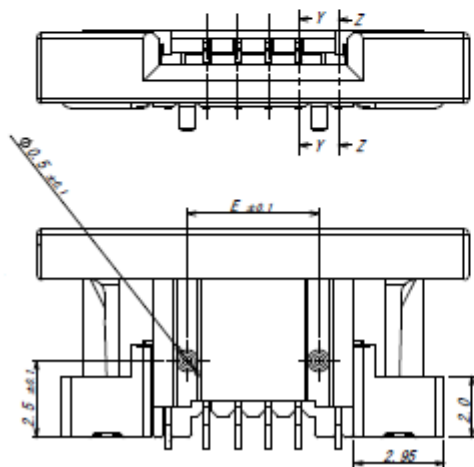
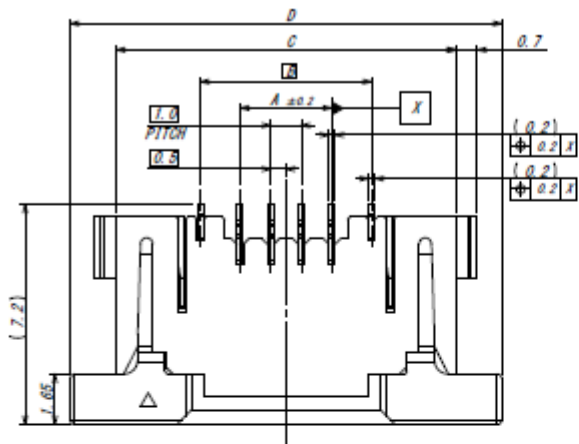
http://www.iriso.co.jp/en/product_series/9665/

9663 SERIES

IMSA-9663S-**-□-□□

SERIES 9663 SOCKET

CKT	A	B	C	D	E
4	3.0	5.6	11.1	14.1	4.3
5	4.0	6.6	12.1	15.1	5.3
6	5.0	7.6	13.1	16.1	6.3
7	6.0	8.6	14.1	17.1	7.3
8	7.0	9.6	15.1	18.1	8.3
9	8.0	10.6	16.1	19.1	9.3
10	9.0	11.6	17.1	20.1	10.3
11	10.0	12.6	18.1	21.1	11.3
12	11.0	13.6	19.1	22.1	12.3
13	12.0	14.6	20.1	23.1	13.3
14	13.0	15.6	21.1	24.1	14.3
15	14.0	16.6	22.1	25.1	15.3
16	15.0	17.6	23.1	26.1	16.3
17	16.0	18.6	24.1	27.1	17.3
18	17.0	19.6	25.1	28.1	18.3
19	18.0	20.6	26.1	29.1	19.3
20	19.0	21.6	27.1	30.1	20.3
21	20.0	22.6	28.1	31.1	21.3
22	21.0	23.6	29.1	32.1	22.3
23	22.0	24.6	30.1	33.1	23.3
24	23.0	25.6	31.1	34.1	24.3
25	24.0	26.6	32.1	35.1	25.3
26	25.0	27.6	33.1	36.1	26.3
27	26.0	28.6	34.1	37.1	27.3
28	27.0	29.6	35.1	38.1	28.3
29	28.0	30.6	36.1	39.1	29.3
30	29.0	31.6	37.1	40.1	30.3
40	39.0	41.6	47.1	50.1	40.3



9664 SERIES

IMSA-9664S-**-□-□□

SERIES 9664 SOCKET

GKT	A	B	C	D	E
4	3.0	5.6	11.1	14.1	4.3
5	4.0	6.6	12.1	15.1	5.3
6	5.0	7.6	13.1	16.1	6.3
7	6.0	8.6	14.1	17.1	7.3
8	7.0	9.6	15.1	18.1	8.3
9	8.0	10.6	16.1	19.1	9.3
10	9.0	11.6	17.1	20.1	10.3
11	10.0	12.6	18.1	21.1	11.3
12	11.0	13.6	19.1	22.1	12.3
13	12.0	14.6	20.1	23.1	13.3
14	13.0	15.6	21.1	24.1	14.3
15	14.0	16.6	22.1	25.1	15.3
16	15.0	17.6	23.1	26.1	16.3
17	16.0	18.6	24.1	27.1	17.3
18	17.0	19.6	25.1	28.1	18.3
19	18.0	20.6	26.1	29.1	19.3
20	19.0	21.6	27.1	30.1	20.3
21	20.0	22.6	28.1	31.1	21.3
22	21.0	23.6	29.1	32.1	22.3
23	22.0	24.6	30.1	33.1	23.3
24	23.0	25.6	31.1	34.1	24.3
25	24.0	26.6	32.1	35.1	25.3
26	25.0	27.6	33.1	36.1	26.3
27	26.0	28.6	34.1	37.1	27.3
28	27.0	29.6	35.1	38.1	28.3
29	28.0	30.6	36.1	39.1	29.3
30	29.0	31.6	37.1	40.1	30.3
40	39.0	41.6	47.1	50.1	40.3

